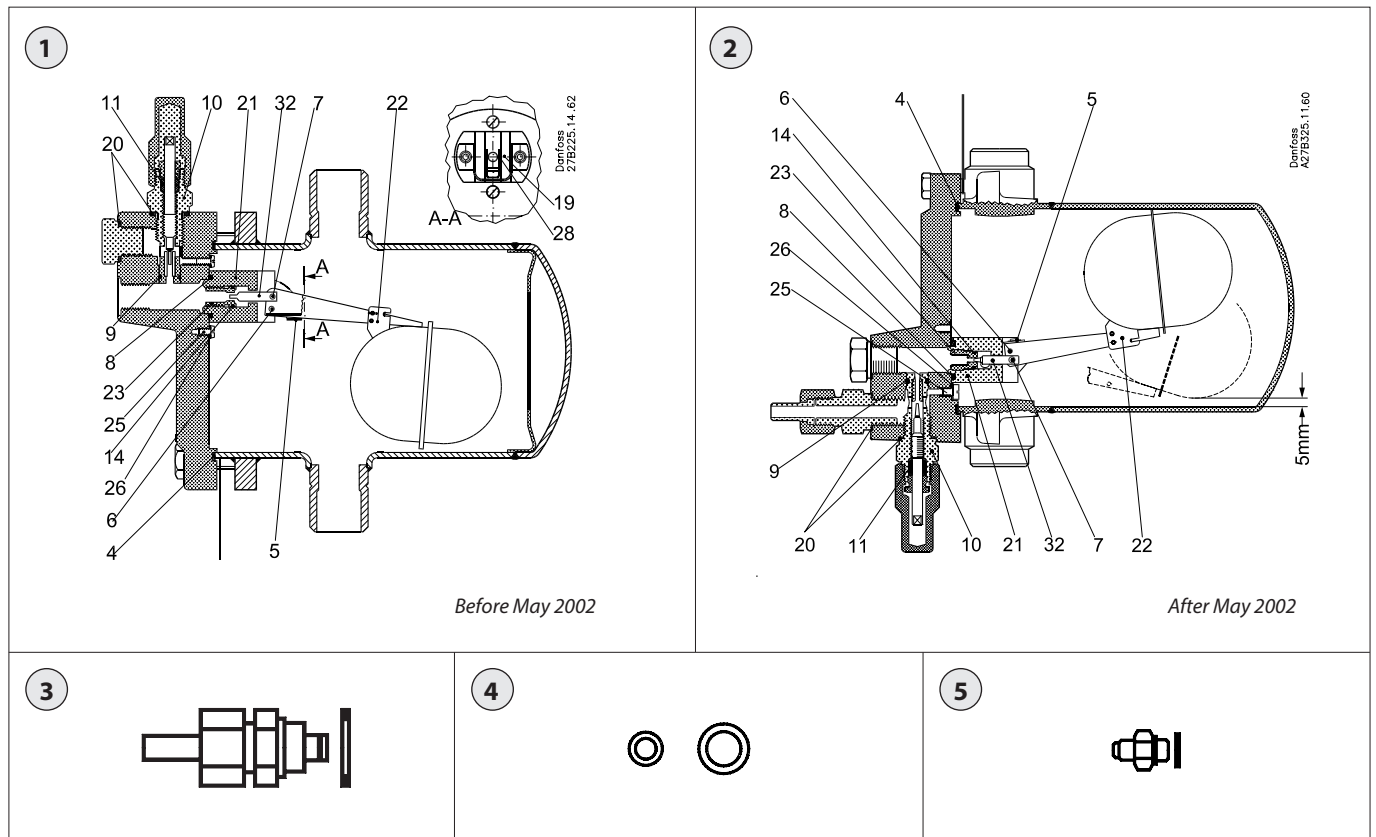


Data sheet – Spare parts and accessories

Float valves  
Types SV 1 and SV 3



Description	Pos. #	Qty.	size	Code no.
<b>Insert assembly, fig. 1 and fig. 2</b>				
Clamp	5	1	1	027B2051
Pin	6	1	1	
Pin	7	1	1	
O-ring	8	1	1	
O-ring	14	1	1	
Spring washer	19	2	1	
Valve body	21	1	1	
Float assembly	22	1	1	
Orifice	23	1	1	
Screw	25	2	1	
Nut	28	2	1	
Needle	32	1	1	
Clamp	5	1	3	
Pin	6	1	3	
Pin	7	1	3	
O-ring	8	1	3	
O-ring	14	1	3	
Spring washer	19	2	3	
Valve body	21	1	3	
Float assembly	22	1	3	
Orifice	23	1	3	
Screw	25	2	3	
Nut	28	2	3	
Needle	32	1	3	
<b>Service kit, fig. 1 and fig. 2</b>				
Pin	6	1	1	027B2055
Pin	7	1	1	
O-ring	14	1	1	
Orifice	23	1	1	
Needle	32	1	1	
Pin	6	1	3	027B2056
Pin	7	1	3	
O-ring	14	1	3	
Orifice	23	1	3	
Needle	32	1	3	
<b>Bypass valve, fig. 1 and fig. 2</b>				
O-ring	9	1	1	027B2046
Valve assembly	10	1	1	
Gasket	20	1	1	
O-ring	9	1	3	027B2046
Valve assembly	10	1	3	
Gasket	20	1	3	

Description	Pos. #	Qty.	size	Code no.
<b>Seal kit, fig. 1 and fig. 2</b>				
Gasket	4	1	1 and 3	027B2045
O-ring	8	1	1 and 3	
O-ring	9	1	1 and 3	
Teflon gasket	11	1	1 and 3	
O-ring	14	1	1 and 3	
Gasket	20	2	1 and 3	
Gasket	26	1	1 and 3	
<b>Seal kit, fig. 1 and fig. 2</b>				
Gasket	4	1	1 and 3	027B2061
<b>Pilot connector, fig. 3</b>				
Solder/weld ID 6.5/OD 10 mm	-	1	1 and 3	027B2047
Nipple assembly	-	1	1 and 3	
Gasket	-	1	1 and 3	
<b>Seal kit, fig. 4</b>				
Solder/weld pilot connector	-	1	1 and 3	027B2028
Alu gasket	-	4	1 and 3	
Gasket	-	4	1 and 3	
<b>Pilot connector, fig. 5</b>				
Nipple	-	4	1 and 3	027B2033
Gasket	-	4	1 and 3	